

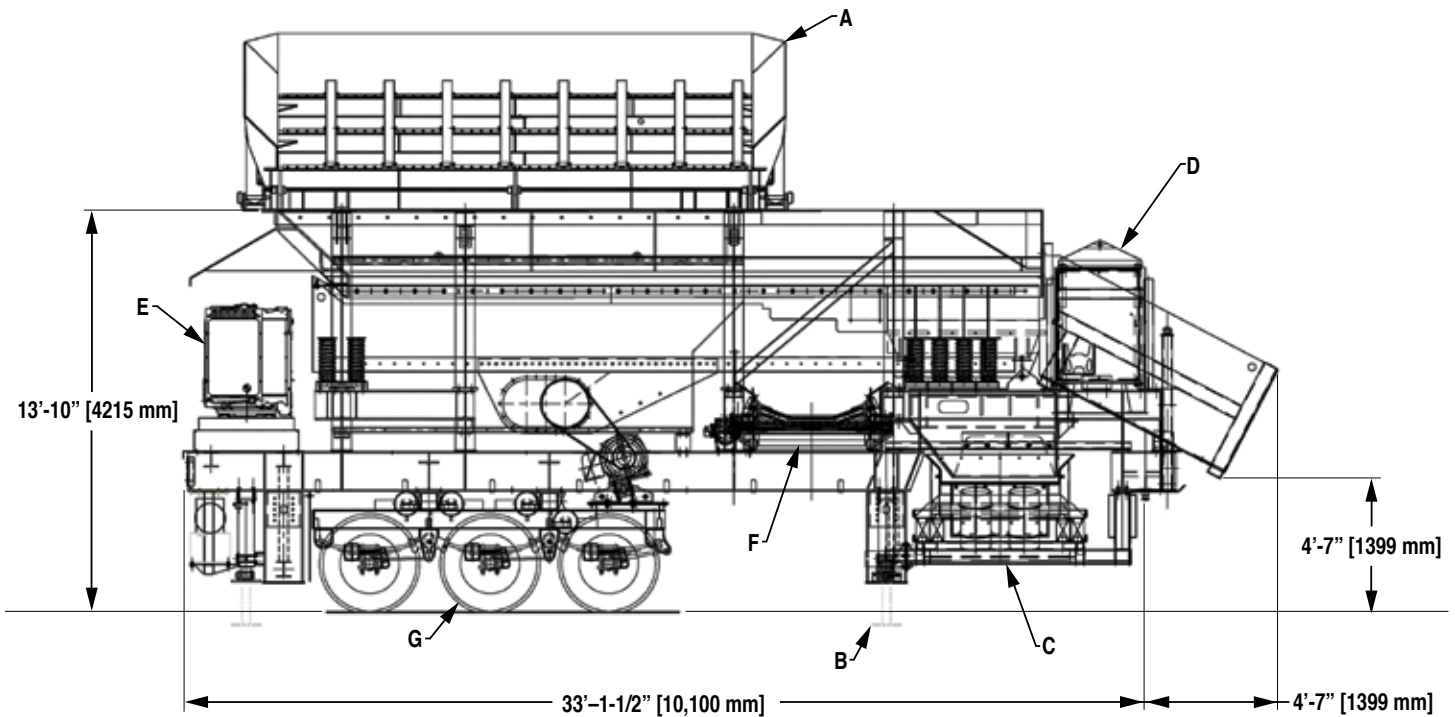
**THE LIPPMANN PORTABLE RIP-RAP PLANT**

The Lippmann Portable Rip-Rap Plant is a completely self-contained, high-production screening and scalping unit that offers a full 62" wide by 24' long vibrating grizzly feeder. Other rip-rap plants are too narrow to stratify material to screen it efficiently and operate at maximum capacity. Lippmann's larger screening area offers 30 percent more capacity and prevents rock from stacking up. Smaller rock separates easily, so your plant can run at higher speeds to optimally produce the 4"-12" rip-rap you need.

**LIPPMANN 62"X24'
PORTABLE RIP-RAP PLANT FEATURES**

- Available as a self-contained portable plant
- 62" by 24' vibrating grizzly feeder offers up to 30 percent more capacity
- Field-proven eccentric drive mechanism
- Open flow-through tube arrangement for continual lubrication of vibrator assembly
- Two 5' step-deck grizzlies with adjustable bars
- Replaceable, abrasion resistant liners
- 2-axle, revolutionary box-beam chassis design for easy access to chutes
- End discharge for oversize product (over 12")
- Side discharge chute at second step of feeder
- 36" cross conveyor for fines
- Variable speed AC inverter electric drive
- On-plant generator set allows you to run additional off-plant conveyor
- Fifth wheel chassis hitch



LIPPMANN HEAVY-DUTY RIP-RAP PLANT DIMENSIONS


PLANT SPECIFICATIONS		PLANT OPTIONS	
Travel Height	13'-10" [4216 mm]	A**	Hydraulic dumping grizzly
Travel Width	11'-11" [3632 mm]	B	Hydraulic leveling jacks
Travel Length	33'-2" [10109 mm]	C**	Pan feeder mounted below chute
Kingpin Weight*	19,750 lbs 8,958 kg	D	Motor control center
Axle Weight*	61,250 lbs 27,783 kg	E	Cummins diesel power unit
Grizzly Dump Weight	12,000 lbs 5,443 kg	F	Extended side discharge conveyor
Pan Feeder and Support Weight	4,300 lbs 1950 kg	G	Tri-axle or quad-axle
*With diesel power unit **Must be removed for travel			

Lippmann Milwaukee, Inc.
 3271 East Van Norman Avenue
 Cudahy, WI 53110-0586
 (800) 648-0486 • (414) 744-2565
 Fax: (414) 744-8172
www.lippmann-milwaukee.com

Sold and serviced by:

The information contained in this literature is meant to be general in nature and is not intended to be used for specific application, construction, or installation purposes. Please note that machine capacities, settings, and other application considerations can vary from the information contained in this literature, depending on the material being crushed, moisture, feed sizes, other materials in the feed, etc. As a result, no warranty of any kind, either expressed or implied, is extended with the information contained in this literature. Lippmann Milwaukee, Inc. expressly reserves the right to change specifications or designs without prior notice or obligation.